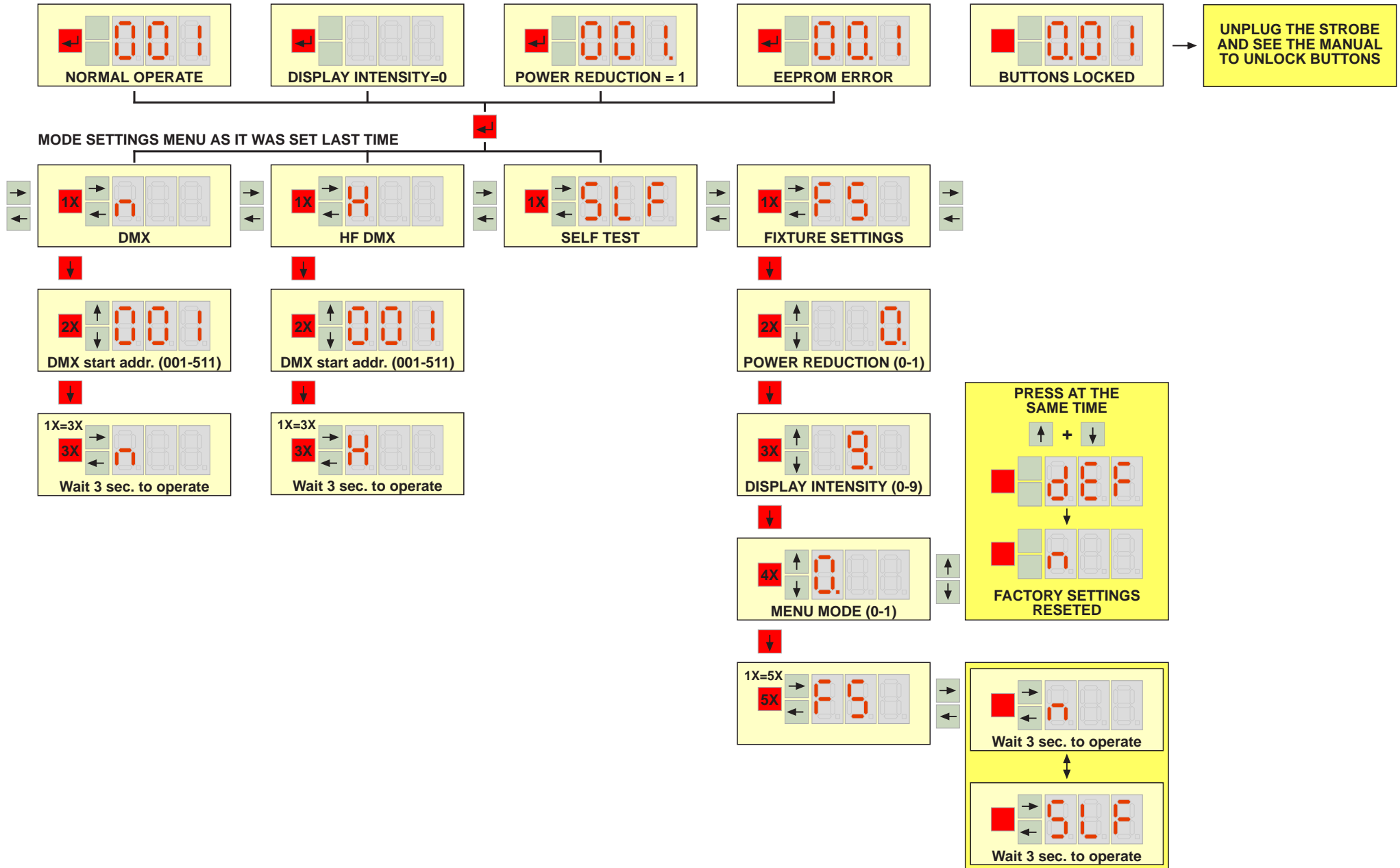
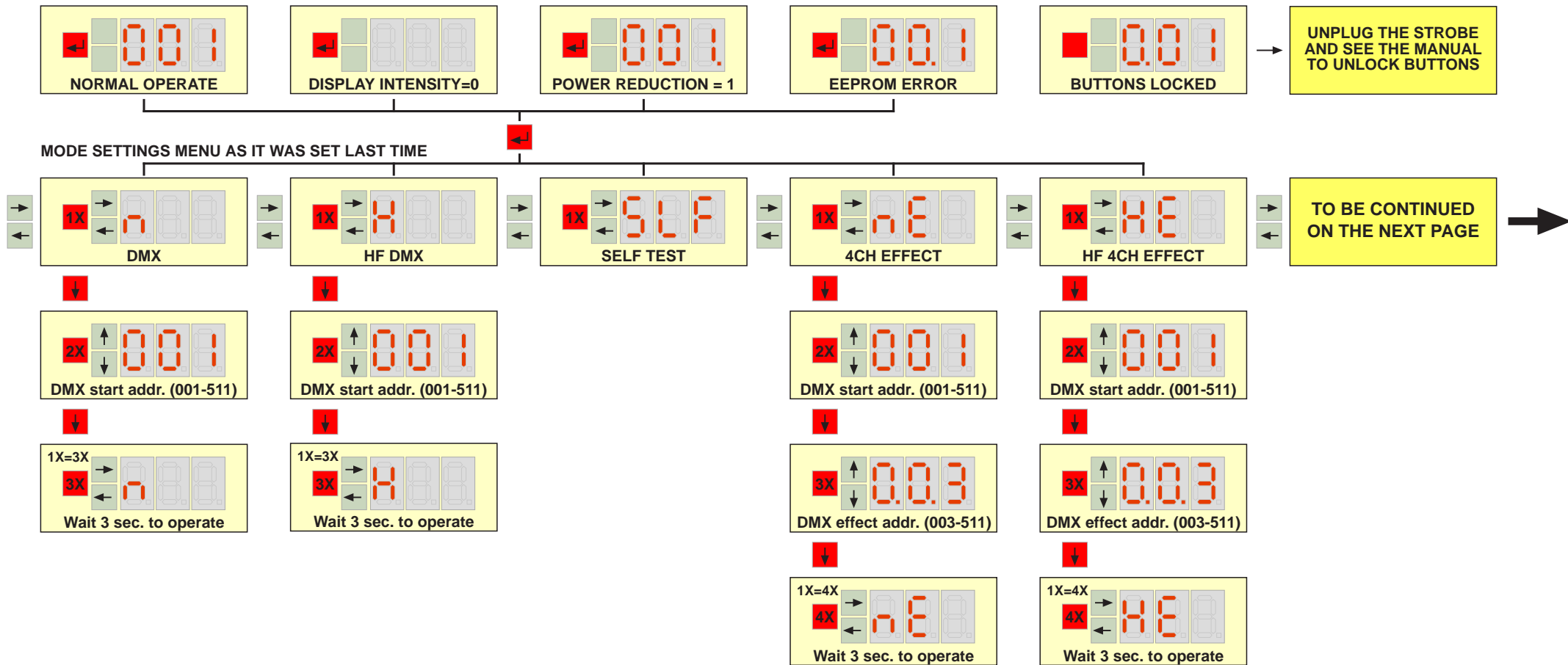


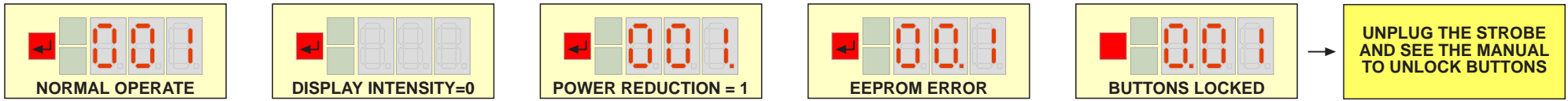
# EU PRO MENU MAP - MENU MODE=0 (STANDARD MENU)



# EU PRO MENU MAP - MENU MODE=1 (EXTENDED MENU)



# EU PRO MENU MAP - MENU MODE=1 (EXTENDED MENU)



TO BE CONTINUED FROM THE PREVIOUS PAGE

MODE SETTINGS MENU AS IT WAS SET LAST TIME

